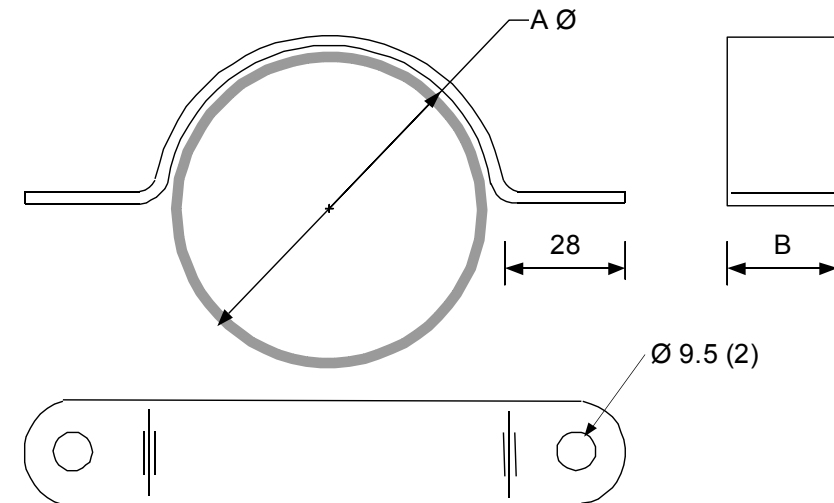


Product Data Sheet

POST CLIPS

Application : Fixing Signs and other attachments to Lighting Columns, Sign Posts, CCTV and Transmission Poles

Regent Part No	Description	Dimn A	Dimn B
0429	50.8MM POST CLIP 25MM WIDE	50.8	25
0430	60.3MM POST CLIP 25MM WIDE	60.3	25
0431	76.1MM POST CLIP 25MM WIDE	76.1	25
0432	88.9MM POST CLIP 25MM WIDE	88.9	25
0433	101.6MM POST CLIP 25MM WIDE	101.6	25
0434	114.3MM POST CLIP 25MM WIDE	114.3	25
0435	127MM POST CLIP 25MM WIDE	127.0	25
0436	139.7MM POST CLIP 25MM WIDE	139.7	25
0437	168.3MM POST CLIP 25MM WIDE	168.3	25
0438	193.7MM POST CLIP 25MM WIDE	193.7	25
0538	50MM X 50MM RHS POST CLIP 25MM WIDE		25
0439	60.3MM POST CLIP 38MM WIDE	60.3	38
0440	76.1MM POST CLIP 38MM WIDE	76.1	38
0441	88.9MM POST CLIP 38MM WIDE	88.9	38
0442	101.6MM POST CLIP 38MM WIDE	101.6	38
0443	114.3MM POST CLIP 38MM WIDE	114.3	38
0444	127MM POST CLIP 38MM WIDE	127.0	38
0445	139.7MM POST CLIP 38MM WIDE	139.7	38
0446	168.3MM POST CLIP 38MM WIDE	168.3	38
0447	193.7MM POST CLIP 38MM WIDE	193.7	38



Material - Low carbon Steel to EN 10130 FePo4 - 3mm Thick

Finish - Self Colour

All dimensions in Millimetres

The Regent Engineering Co. (Walsall) Ltd Salisbury Street Darlaston Wednesbury West Midlands WS10 8XB UK

E-mail : info@regenteng.com

Web : www.regenteng.com

Phone 44 (0)121 526 6060

Fax : 44(0)121 526 4789

© 2012