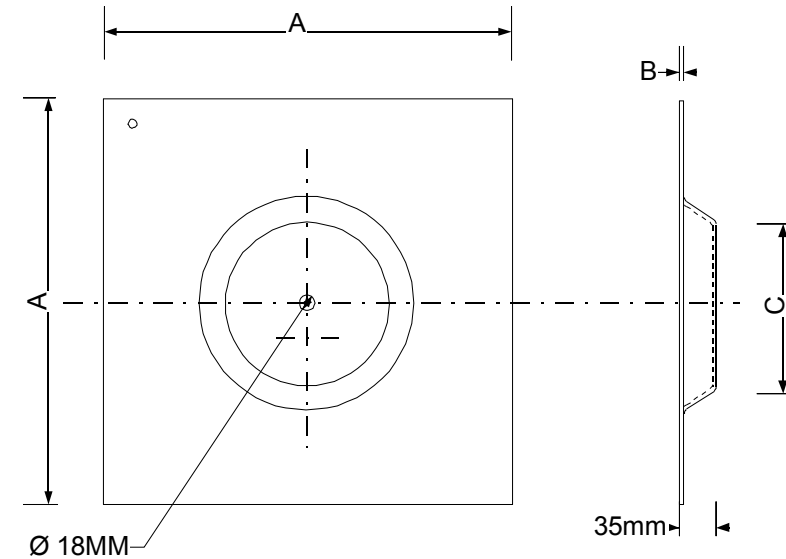


**PLATFORM (BUCKLE) TYPE
BASEPLATES**

Application :
Provides detachable foundation plate for Lighting Columns
and Power Transmission Poles



Material - Low carbon Steel to EN 10130 FePo4

Finish - Self Colour or Hot Dip Galvanised

Corner Fixing Holes or Slots can be provided if required

All dimensions in Millimetres

Regent Part No	Description	Dimn A	Dimn B	Dimn C
0101	457 x 457 x 3 PLATFORM (BUCKLE) TYPE BASEPLATE	457	3	Ø190
0478	530 X 530 X 5 PLATFORM (BUCKLE) TYPE BASEPLATE	530	5	Ø210
Other sizes quoted on request				

The Regent Engineering Co. (Walsall) Ltd Salisbury Street Darlaston Wednesbury West Midlands WS10 8XB UK

E-mail : info@regenteng.com

Web : www.regenteng.com

Phone 44 (0)121 526 6060

Fax : 44(0)121 526 4789

© 2012