

***STANDARD PRODUCTS CATALOGUE***  
***Components for Lighting Columns, Sign***  
***Posts, CCTV & Power Transmission Poles***

***Issue 9 Jan 2014***

The Regent Engineering Co. (Walsall) Ltd - Salisbury Street - Darlaston - Wednesbury - West Midlands - WS10 8XB - UK

E-mail : [info@regenteng.com](mailto:info@regenteng.com)

Web : [www.regenteng.com](http://www.regenteng.com) Phone 44 (0)121 526 6060

Fax : 44(0)121 526 4789

© 2014

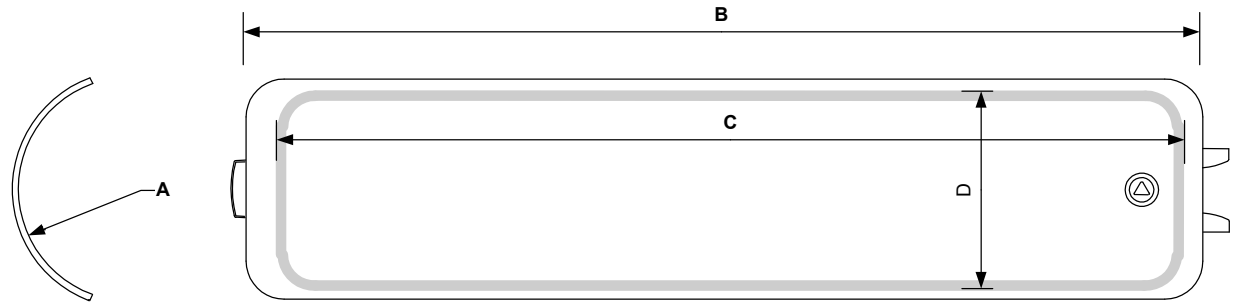


## STANDARD PRODUCTS CATALOGUE

Product	Page No
LIGHTING COLUMN DOOR - Std Flat End	3
LIGHTING COLUMN DOOR - Double Lock (Vandal Resistant)	4
LIGHTING COLUMN DOOR - Radius End	5
LIGHTING COLUMN DOOR - Octagonal Poles	6
LIGHTING COLUMN DOOR - Flat Lipped	7
DOOR LOCK BRACKET	8
DOOR LOCK BAR	9
DOOR LUG PRESSINGS	10
DOOR LOCK CUP	11
INTERNAL FRAME	12
GEARBOARD FIXING STRAP	13
ANGLED EARTH CLIP	14
JOINTING RINGS - Twin Flat	15
WEATHERSTRIPS	16
FLAT & FORMED BASEPLATES	17
(BUCKLE) BASEPLATES	18
POLE CAPS - Knock on	19
POLE CAPS - Weld on	20
POST CLIPS	21
LADDER BAR ASSEMBLY	22
GUSSET PLATES	23
SHAFT COLLARS	24
SPIGOT FOR BRACKET ARMS	25
ANTI-CLIMBING GUARD	26
BRACKET ARM	27

**LIGHTING COLUMN DOOR**  
**- Std Flat End**

Application : Lighting Columns & Illuminated Sign Posts



Material - Low carbon Steel to EN 10130 FePo4

Finish - Hot Dip Galvanised to EN ISO1461 /  
Alternative specifications available

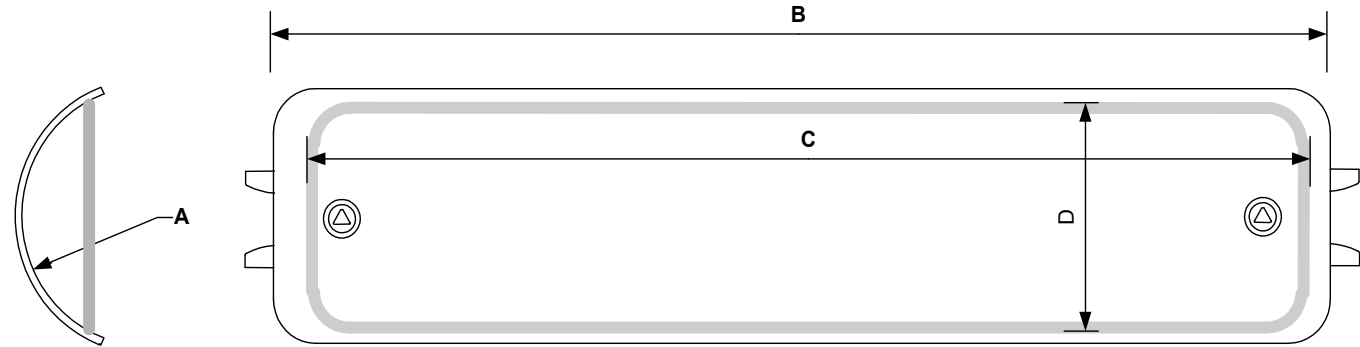
All dimensions in Millimetres

UK Registered Design No. 3005873

Regent Part No	Description	Dimn A	Dimn B	Base Dia	Max Aperture Dimn C	Max Aperture Dimn D
2001	140 X 457 REGENT DOOR	70	457	139.7	400	115
2002	168 X 457 REGENT DOOR	84	457	168.3	400	125
2003	140 X 530 REGENT DOOR	70	530	139.7	500	110
2004	168 X 530 REGENT DOOR	84	530	168.3	500	115
2005	194 X 530 REGENT DOOR	97	530	193.7	500	120
2006	219 X 530 REGENT DOOR	110	530	219.1	500	130
2027.R	140 X 630 REGENT DOOR	70	630	139.7	600	110
2028.R	168 X 630 REGENT DOOR	84	630	168.3	600	115
2029.R	194 X 630 REGENT DOOR	97	630	193.7	600	120
2030.R	219 X 630 REGENT DOOR	110	630	219.1	600	130

**LIGHTING COLUMN DOOR  
- Double Lock (Vandal Resistant)**

Application : Lighting Columns & Illuminated Sign Posts where high security is required.



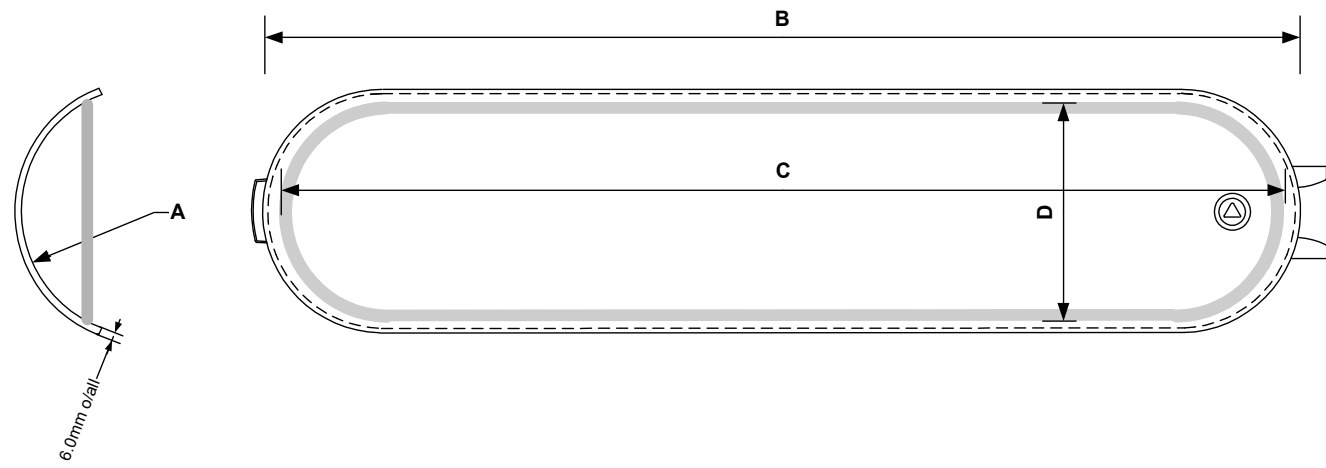
Material - Low carbon Steel to EN 10130 FePo4

Finish - Hot Dip Galvanised to EN ISO1461 /  
Alternative specifications available

All dimensions in Millimetres

Regent Part No	Description	Dimn A	Dimn B	Base Dia	Max Aperture Dimn C	Max Aperture Dimn D
2001VR1	140 X 457 REGENT DOOR-DOUBLE LOCK	70	457	139.7	400	115
2002VR1	168 X 457 REGENT DOOR-DOUBLE LOCK	84	457	168.3	400	125
2003VR1	140 X 530 REGENT DOOR-DOUBLE LOCK	70	530	139.7	500	110
2004VR1	168 X 530 REGENT DOOR-DOUBLE LOCK	84	530	168.3	500	115
2005VR1	194 X 530 REGENT DOOR-DOUBLE LOCK	97	530	193.7	500	120
2006VR1	219 X 530 REGENT DOOR-DOUBLE LOCK	110	530	219.1	500	130
2027.RVR1	140 X 630 REGENT DOOR-DOUBLE LOCK	70	630	139.7	600	110
2028.RVR1	168 X 630 REGENT DOOR-DOUBLE LOCK	84	630	168.3	600	115
2029.RVR1	194 X 630 REGENT DOOR-DOUBLE LOCK	97	630	193.7	600	120
2030.RVR1	219 X 630 REGENT DOOR-DOUBLE LOCK	110	630	219.1	600	130

**LIGHTING COLUMN DOOR  
- Radius End**  
Application : Lighting Columns & Illuminated Sign Posts



Regent Part No	Description	Dimn A Radius	Dimn B	Base Dia	Max Aperture Dimn C	Max Aperture Dimn D
1127	140 X 530 REGENT DOOR	70	525	139.7	500	110
1128	168 X 530 REGENT DOOR	84	525	168.3	500	115

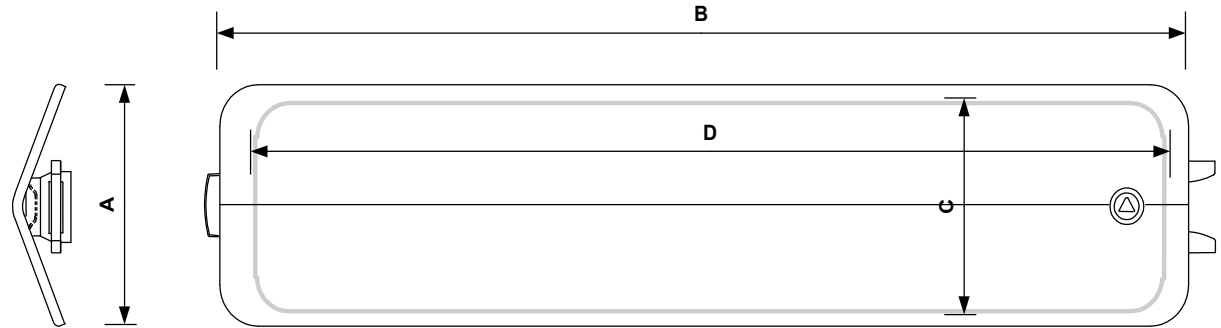
Material - Low carbon Steel to EN 10130 FePo4

Finish - Hot Dip Galvanised to EN ISO1461 / Alternative specifications available

All dimensions in Millimetres

**LIGHTING COLUMN DOOR  
- Octagonal Poles**

Application : Lighting Columns and Illuminated Sign Posts



Regent Part No	Description	Dimn A		Dimn B		Dimn C		Dimn D	
		Min	Max	Min	Max	Min	Max	Min	Max
2500.R	REGENT DOOR - OCTAGONAL	140	180	457	675	120	160	400	655

Material - Low carbon Steel to EN 10130 FePo4 - 2mm Thick

Finish - Hot Dip Galvanised to EN ISO1461 / Alternative specifications available

All dimensions in Millimetres

The Regent Engineering Co. (Walsall) Ltd Salisbury Street Darlaston Wednesbury West Midlands WS10 8XB UK

E-mail : [info@regenteng.com](mailto:info@regenteng.com)

Web : [www.regenteng.com](http://www.regenteng.com)

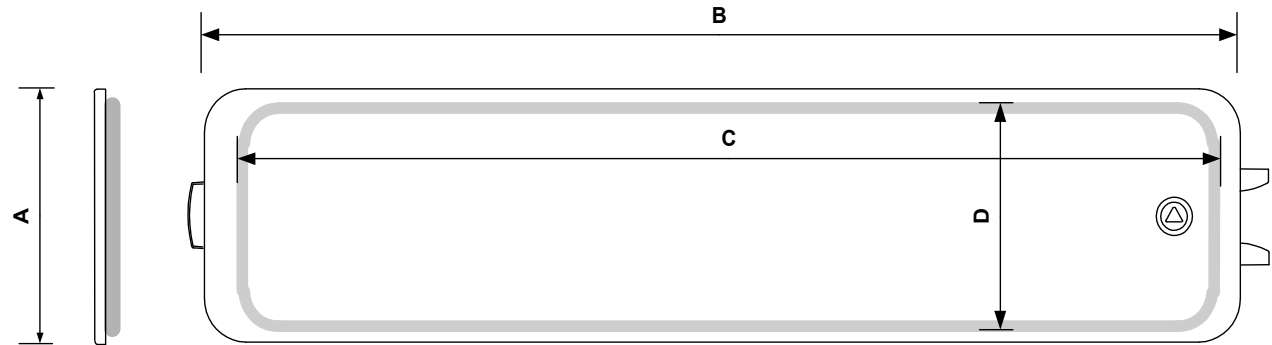
Phone 44 (0)121 526 6060

Fax : 44(0)121 526 4789

© 2012

**LIGHTING COLUMN DOOR  
- Flat Lipped**

Application : High Mast Lighting Poles with Rectanagular Bases.

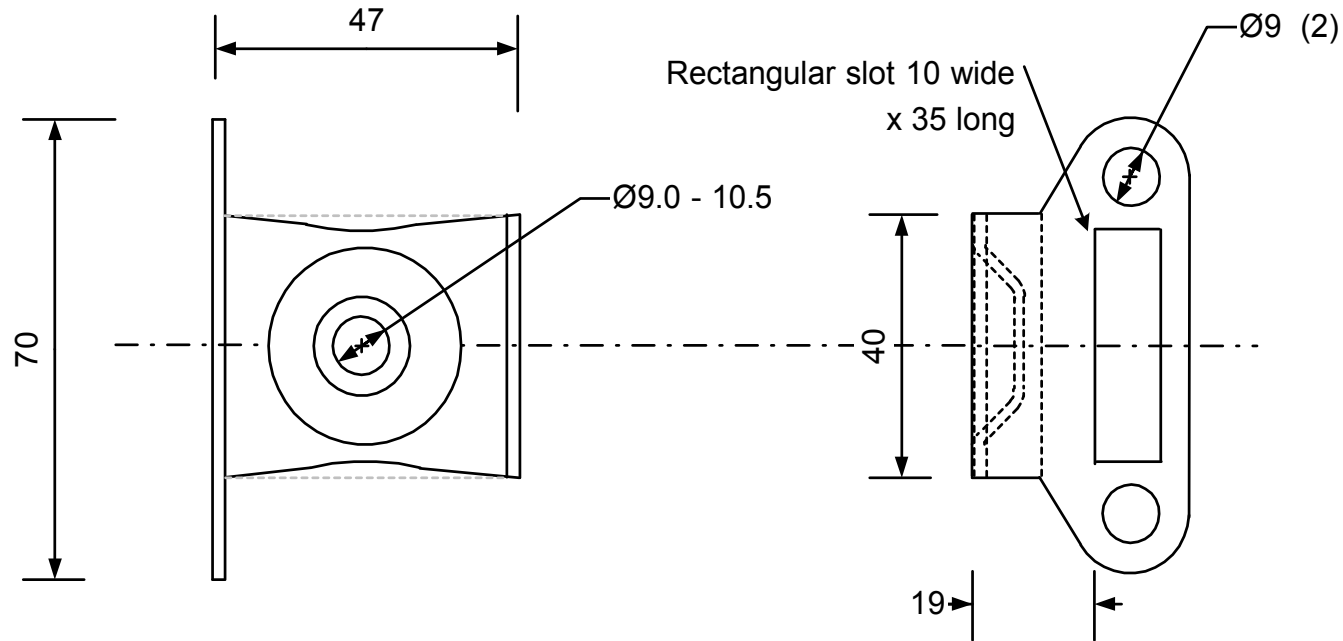


Regent Part No	Description	Dimn A		Dimn B		Dimn C		Dimn D	
		Min	Max	Min	Max	Min	Max	Min	Max
2500.R	REGENT DOOR - Flat Lipped	165	190	457	675	120	170	400	655

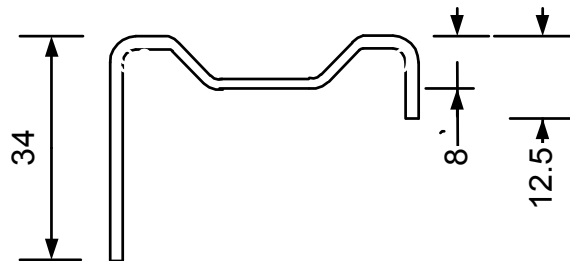
Material - Low carbon Steel to EN 10130 FePo4 - 2mm Thick

Finish - Hot Dip Galvanised to EN ISO1461 / Alternative specifications available

All dimensions in Millimetres



SECTIONAL VIEW



All dimensions in Millimetres

Material - Low carbon Steel to EN 10130 FePo4 - 2mm Thick

Finish - Self Colour

The Regent Engineering Co. (Walsall) Ltd Salisbury Street Darlaston Wednesbury West Midlands WS10 8XB UK

E-mail : [info@regenteng.com](mailto:info@regenteng.com)

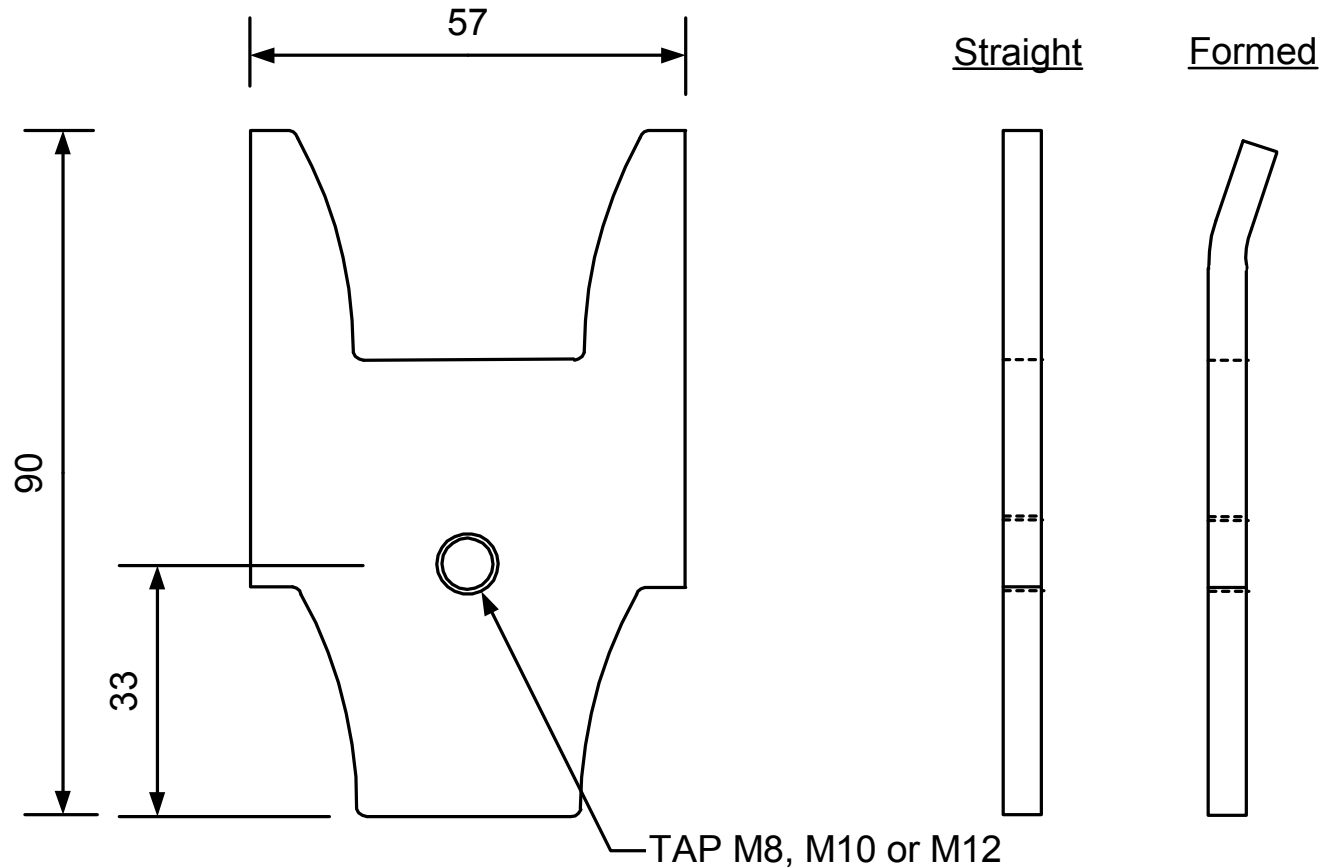
Web : [www.regenteng.com](http://www.regenteng.com)

Phone 44 (0)121 526 6060

Fax : 44(0)121 526 4789

© 2012





All dimensions in Millimetres

Material - Low carbon Steel to EN 10130 FePo4 - 5.0mm Thick

Finish - Electro-Zinc Plate & Passivate

The Regent Engineering Co. (Walsall) Ltd Salisbury Street Darlaston Wednesbury West Midlands WS10 8XB UK

E-mail : [info@regenteng.com](mailto:info@regenteng.com)

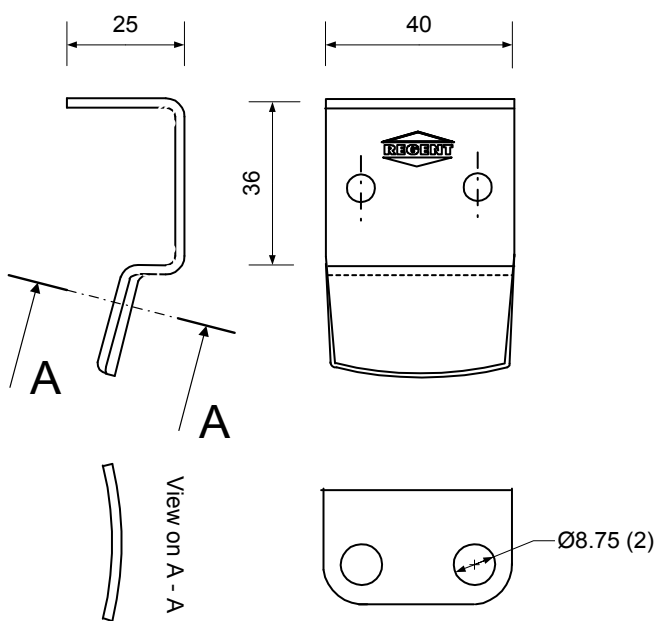
Web : [www.regenteng.com](http://www.regenteng.com)

Phone 44 (0)121 526 6060

Fax : 44(0)121 526 4789

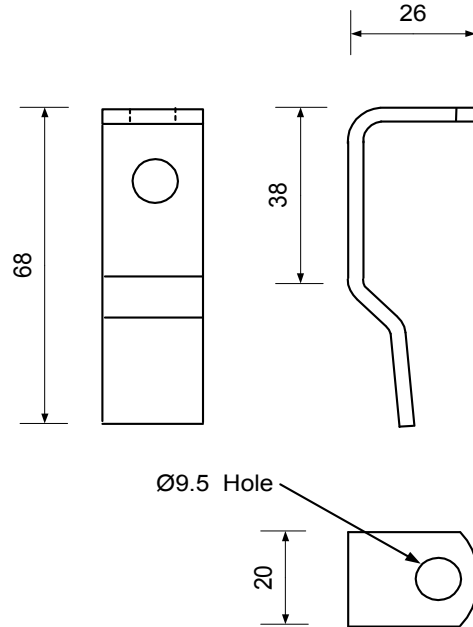
© 2012

**RPN 0700-1.R DOOR LUG - 40 WIDE**



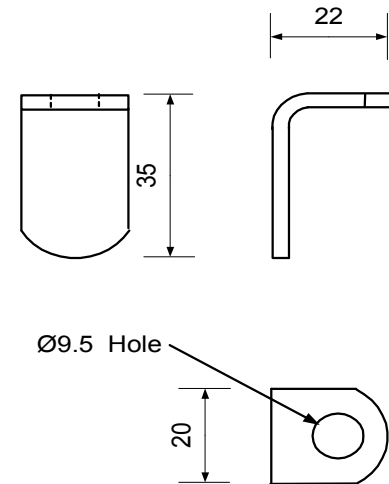
Material - Low carbon Steel to EN 10130 FePo4 - 2.0mm Thick  
Finish - Self Colour

**RPN 0716-9 DOOR LUG - 20 WIDE**



Material - Low carbon Steel to EN 10130 FePo4 - 3.0mm Thick  
Finish - Self Colour

**RPN 0316 ST. DOOR LUG - 20 WIDE**



Material - Low carbon Steel to EN 10130 FePo4 - 3.0mm Thick  
Finish - Self Colour

All dimensions in Millimetres

The Regent Engineering Co. (Walsall) Ltd Salisbury Street Darlaston Wednesbury West Midlands WS10 8XB UK

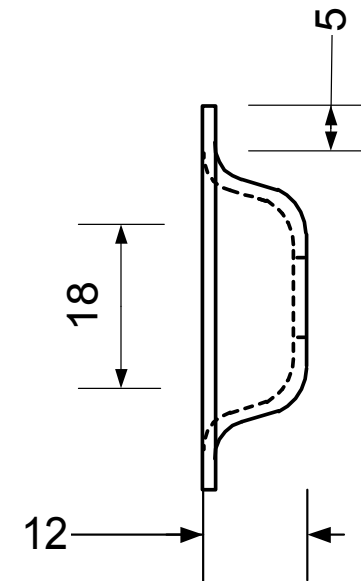
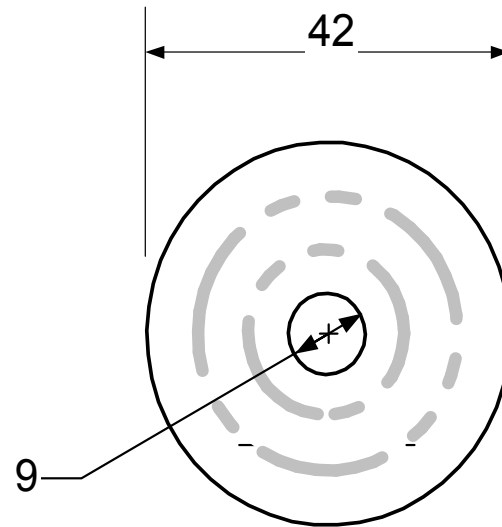
E-mail : info@regenteng.com

Web : www.regenteng.com

Phone 44 (0)121 526 6060

Fax : 44(0)121 526 4789

© 2012



All dimensions in Millimetres

Material - Low carbon Steel to EN 10130 FePo4 - 1.6mm Thick

Finish - Self Colour

The Regent Engineering Co. (Walsall) Ltd Salisbury Street Darlaston Wednesbury West Midlands WS10 8XB UK

E-mail : [info@regenteng.com](mailto:info@regenteng.com)

Web : [www.regenteng.com](http://www.regenteng.com)

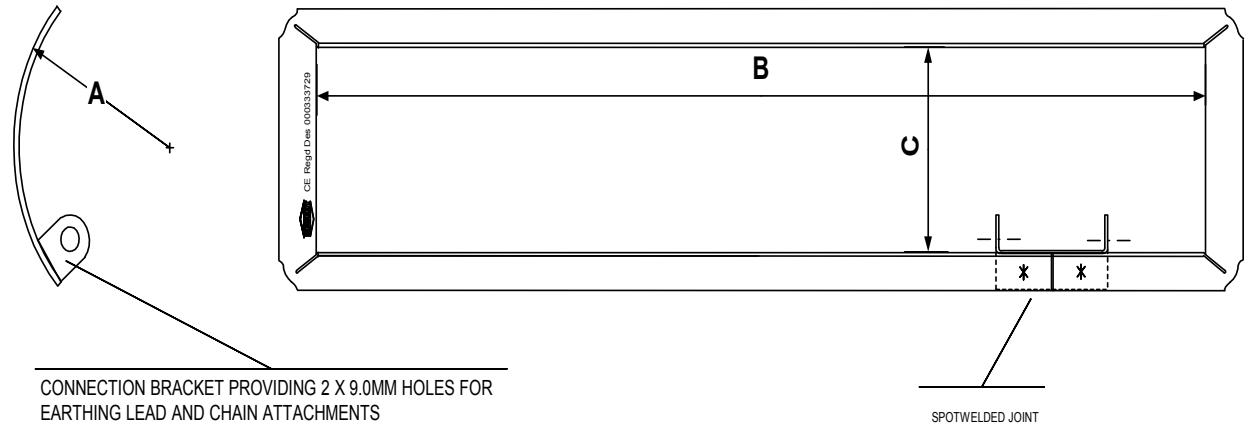
Phone 44 (0)121 526 6060

Fax : 44(0)121 526 4789

© 2012

**Product Data Sheet**

**INTERNAL FRAME**  
Application : Flush fitting "Profiled" Door openings in Light-  
ing Columns and Illuminated Sign Posts



Material - Low carbon Steel to EN 10130 FePo4 - 3mm Thick

Finish - Self Colour

All dimensions in Millimetres

Community Registered Design No.000333729

Regent Part No	Description	Dimn A Internal Radi- us of Base	Dimn B	Dimn C
1191	INTERNAL FRAME 140Ø X 100L X 480W	67	480	100
1192	INTERNAL FRAME 140Ø X 115L X 480W	67	480	115
1193	INTERNAL FRAME 168Ø X 100L X 480W	67	480	100
1194	INTERNAL FRAME 168Ø X 100L X 580W	82	580	100
1195	INTERNAL FRAME 168Ø X 115L X 580W	82	580	115
1196	INTERNAL FRAME 194Ø X 100L X 480W	97	480	100
1197	INTERNAL FRAME 194Ø X 100L X 580W	97	580	100
1198	INTERNAL FRAME 194Ø X 115L X 580W	97	580	115

The Regent Engineering Co. (Walsall) Ltd Salisbury Street Darlaston Wednesbury West Midlands WS10 8XB UK

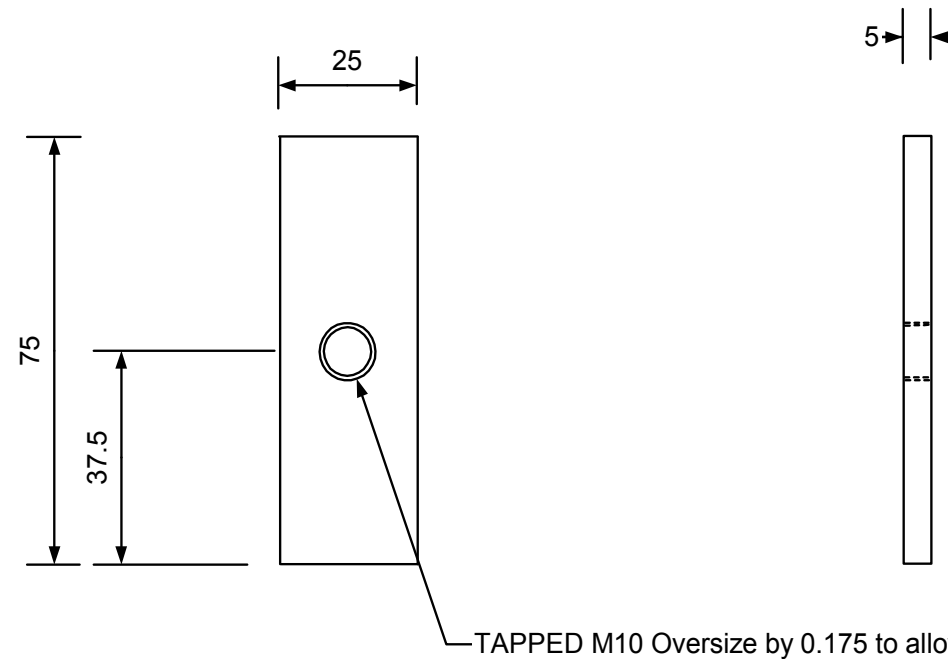
E-mail : info@regenteng.com

Web : www.regenteng.com

Phone 44 (0)121 526 6060

Fax : 44(0)121 526 4789

© 2012



Material - Low carbon Steel to EN 10130 FePo4 - 5mm Thick

Finish - Self Colour

All dimensions in Millimetres

The Regent Engineering Co. (Walsall) Ltd Salisbury Street Darlaston Wednesbury West Midlands WS10 8XB UK

E-mail : [info@regenteng.com](mailto:info@regenteng.com)

Web : [www.regenteng.com](http://www.regenteng.com)

Phone 44 (0)121 526 6060

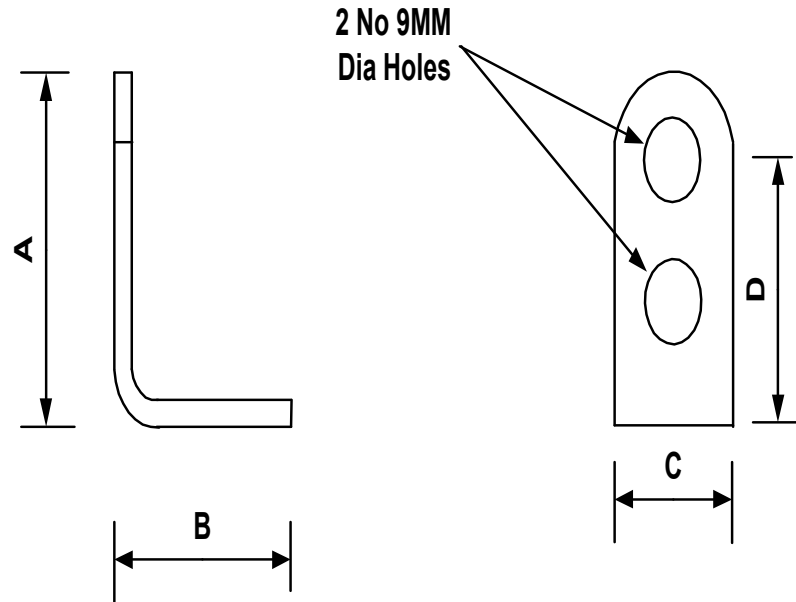
Fax : 44(0)121 526 4789

© 2012

**Product Data Sheet**

**ANGLED EARTH CLIP**

Application : Provides earthing point inside Columns & Enclosures



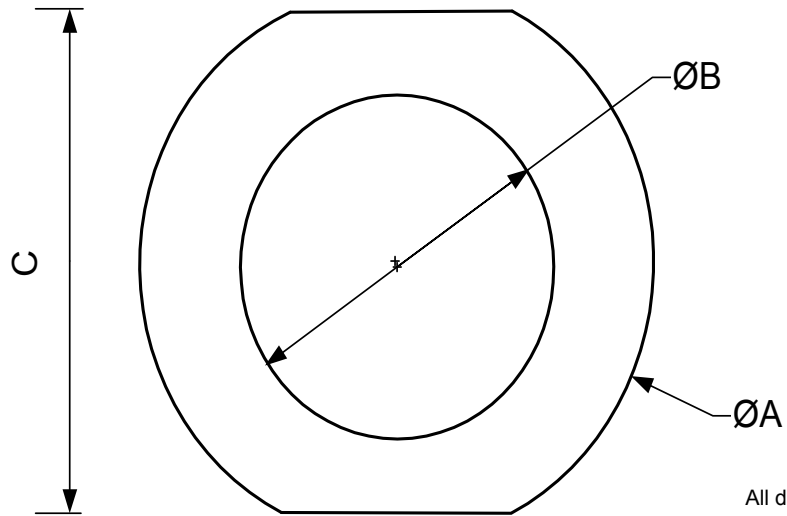
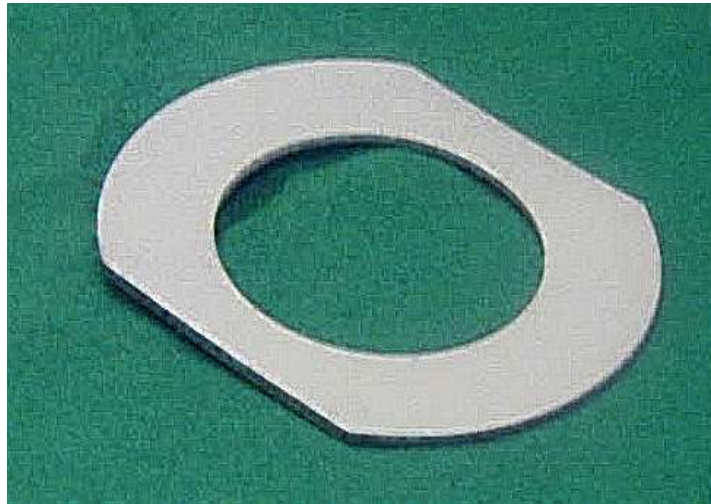
Material - Low carbon Steel to EN 10130 FePo4 - 3mm Thick

Finish - Self Colour

Regent Part No	Description	Dimn A	Dimn B	Dimn C	Dimn D
0317	ANGLED EARTH CLIP	40	30	20	30

**JOINTING RINGS - Twin Flat**

Application : Reinforcement of swaged joints on Lighting Columns, Sign Posts, CCTV and Power Transmission Poles



Material - Low carbon Steel to EN 10130 FePo4 - 3mm Thick Finish - Self Colour

All dimensions in Millimetres

Regent Part No	Description	Dimn A	Dimn B	Dimn C	Base O/D	Base Wall T	Shaft O/D
1289	140MM X 76MM TWIN FLAT RING	131	77	110	139.7	2.5 - 4.0	76.1
1126	140MM X 89MM TWIN FLAT RING	131	91	110	139.7	2.5 - 4.0	88.9
1125	168MM X 89MM TWIN FLAT RING	159	77	140	168.3	2.5 - 4.0	76.1
1294	168MM X 89MM TWIN FLAT RING	159	91	140	168.3	2.5 - 4.0	88.9
1295	168MM X 114MM TWIN FLAT RING	159	116	140	168.3	2.5 - 4.0	114.3
0159	192MM X 114MM TWIN FLAT RING	179	116	160	192 - 193.7	2.5 - 4.0	114.3
0161	192MM X 140MM TWIN FLAT RING	179	141	160	192 - 193.7	2.5 - 4.0	139.7
0591	140MM X 76MM TWIN FLAT RING (HEAVY WALL)	127	77	110	139.7	5.0 - 6.0	76.1
1296	168MM X 89MM TWIN FLAT RING (HEAVY WALL)	154	116	140	168.3	5.0 - 6.0	88.9
1297	168MM X 114MM TWIN FLAT RING (HEAVY WALL)	154	116	140	168.3	5.0 - 6.0	114.3

The Regent Engineering Co. (Walsall) Ltd Salisbury Street Darlaston Wednesbury West Midlands WS10 8XB UK

E-mail : [info@regenteng.com](mailto:info@regenteng.com)

Web : [www.regenteng.com](http://www.regenteng.com)

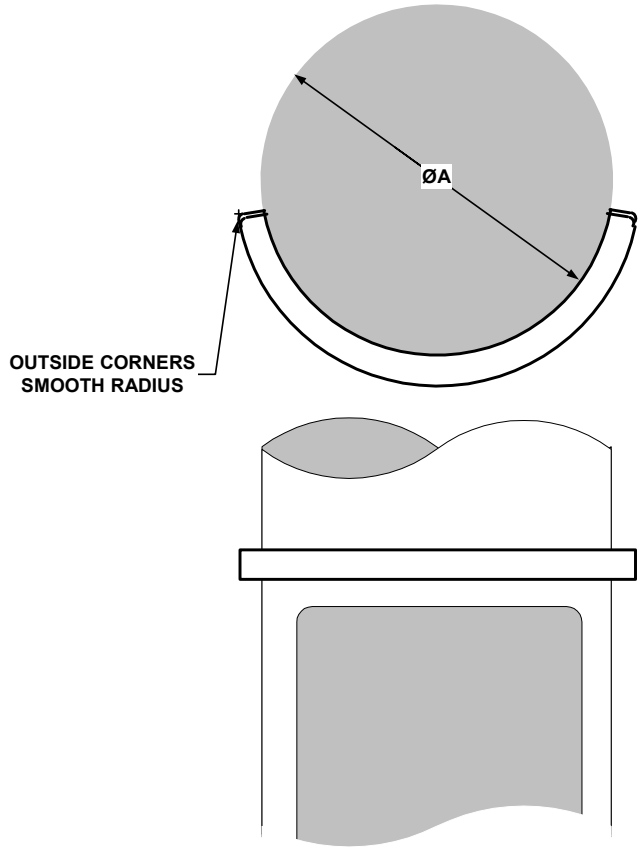
Phone 44 (0)121 526 6060

Fax : 44(0)121 526 4789

© 2012

**Product Data Sheet**

**WEATHERSTRIPS**  
Application : Protection of Door Aperture on Lighting Columns



Material - Low carbon Steel to EN 10130 FePo4 - 12 X 12 Square section

Finish - Self Colour

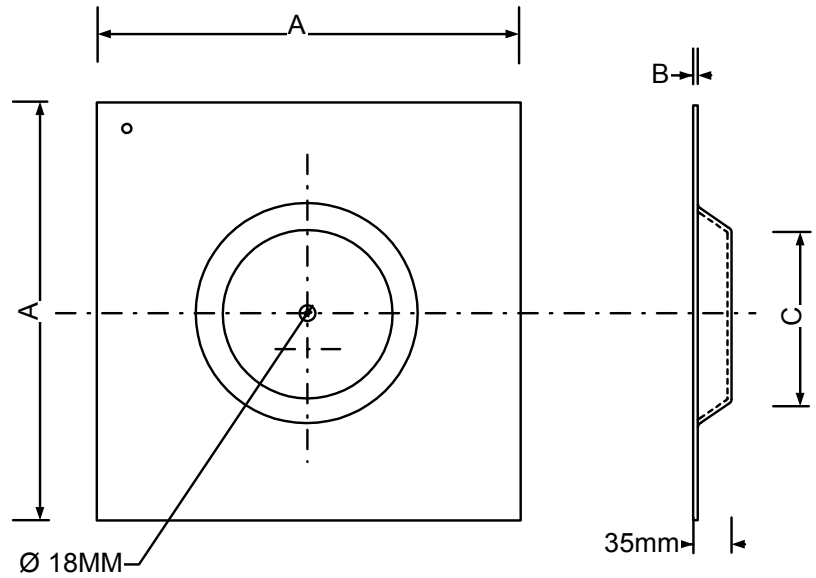
All dimensions in Millimetres

Regent Part No	Description	Dimn A
0357	140MM DIA WEATHERSTRIP	139.7
0359	168MM DIA WEATHERSTRIP	168.3
0365	194MM DIA WEATHERSTRIP	193.7



**PLATFORM (BUCKLE) TYPE BASEPLATES**

**Application :**  
Provides detachable foundation plate for Lighting Columns and Power Transmission Poles



Material - Low carbon Steel to EN 10130 FePo4

Finish - Self Colour or Hot Dip Galvanised

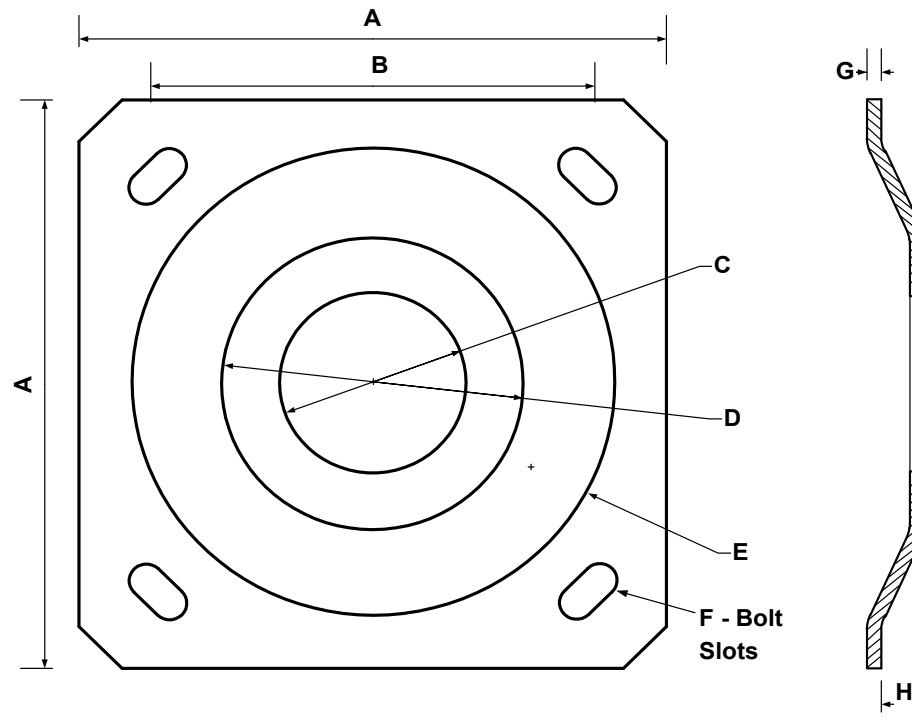
Corner Fixing Holes or Slots can be provided if required

All dimensions in Millimetres

Regent Part No	Description	Dimn A	Dimn B	Dimn C
0101	457 x 457 x 3 PLATFORM (BUCKLE) TYPE BASEPLATE	457	3	Ø190
0478	530 X 530 X 5 PLATFORM (BUCKLE) TYPE BASEPLATE	530	5	Ø210
<b>Other sizes quoted on request</b>				

**FORMED BASEPLATES**

Application :  
Provides weldable foundation plate for Lighting Columns  
and Power Transmission Poles



Material - Low carbon Steel to Grade S275

Finish - Self Colour

Dimn A	Dimn B	Dimn C	Dimn D	Dimn E	Dimn F	Dimn G	Dimn H
Overall size range 300 sq to 500 sq	Fixing Slot Centres vary from 200 to 400 according to Plate size	Centre Hole variable from 75 to 150	Platform Diam- eters 160 or 260	Diameter of conical base 230 or 350	Bolt slots to M20, M24 or M28	Thickness range 3 to 15	Platform height from 20 to 35

The Regent Engineering Co. (Walsall) Ltd Salisbury Street Darlaston Wednesbury West Midlands WS10 8XB UK

E-mail : info@regenteng.com

Web : www.regenteng.com

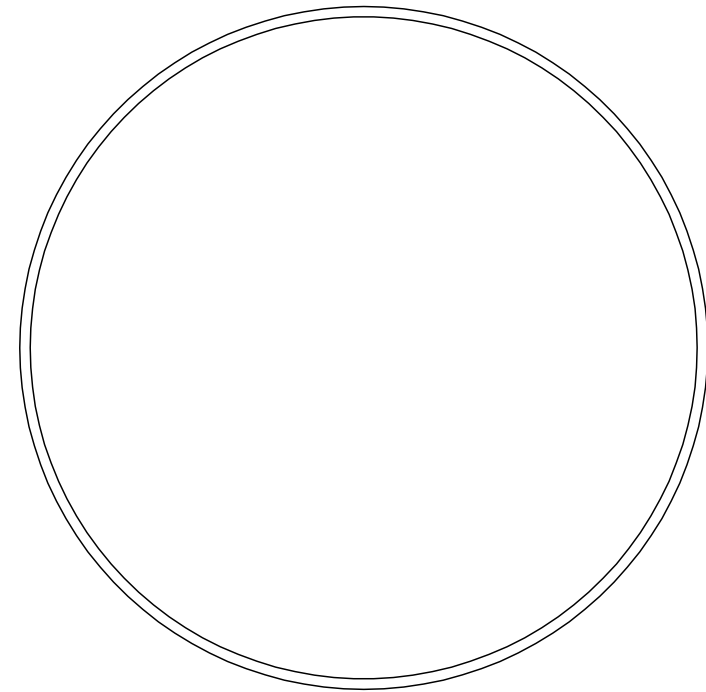
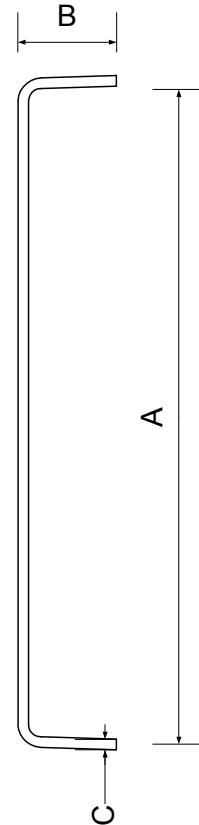
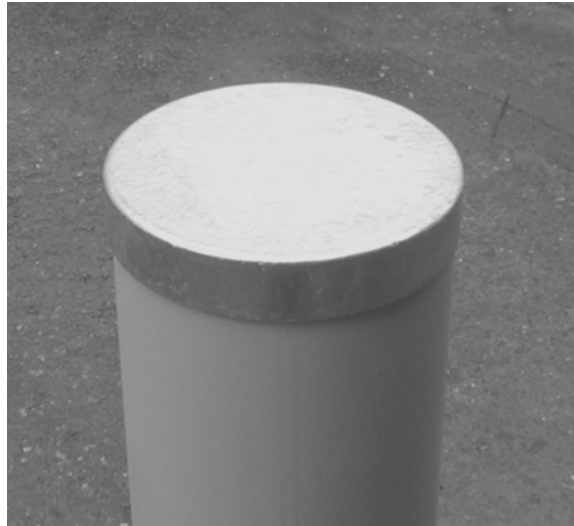
Phone 44 (0)121 526 6060

Fax : 44(0)121 526 4789

© 2012

**POLE CAPS - Knock on**

Application : End enclosures for Lighting Columns, Sign Posts and Power Transmission Poles



Material - Low carbon Steel to EN 10130 FePo4

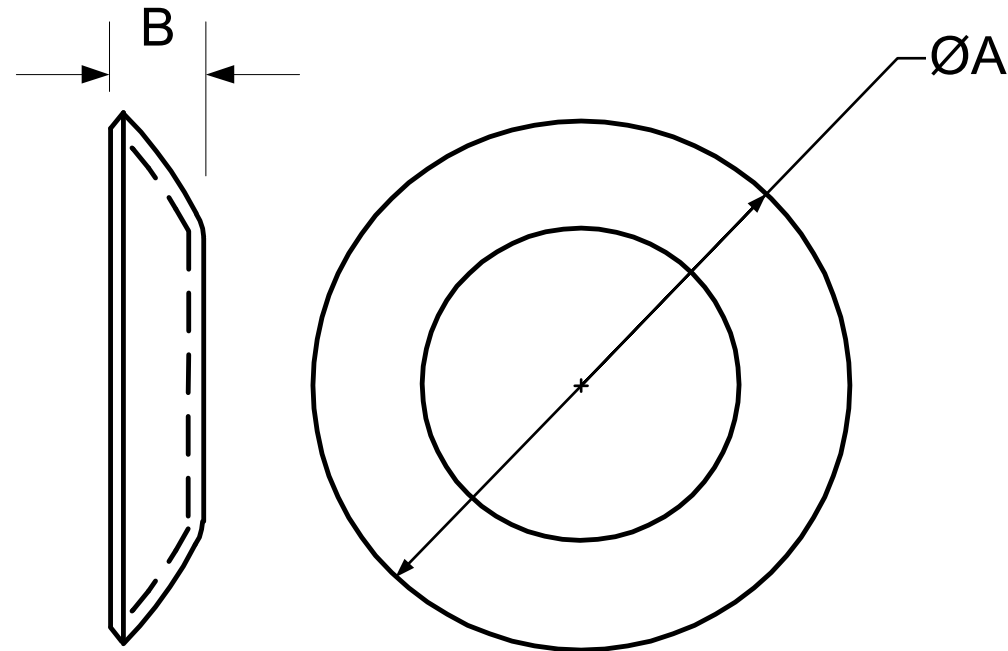
Finish - Self Colour, Dacromet 320

All dimensions in Millimetres

Regent Part No	Description	Dimn A Pole Dia	Dimn B	Dimn C
1275	76MM POLE CAP	76.1	30	1.6
1276	89MM POLE CAP	88.9	30	1.6
1277	114MM POLE CAP	114.3	30	1.6
1278	140MM POLE CAP	139.7	30	1.6
1279	168MM POLE CAP	168.3	30	1.6
1280	194MM POLE CAP	193.7	35	1.6
1281	219MM POLE CAP	219.1	40	1.6
1282	245MM POLE CAP	244.5	40	1.6
1283	273MM POLE CAP	273.1	50	1.6

**POLE CAPS - Weld on**

Application : Capping of Lighting Columns, Sign Posts, Bracket Arms, CCTV and Transmission Poles



Material - Low carbon Steel to EN 10130 FePo4 - 3mm Thick

Finish - Self Colour

All dimensions in Millimetres

Regent Part No	Description	Dimn A	Dimn B	To fit TubeØ
0021.R	74MM Ø WELD ON CAP	74	9	76.1
0022.R	86MM Ø WELD ON CAP	86	16	88.9
0023.R	110MM Ø WELD ON CAP	110	22	114.3
0150.R	137MM Ø WELD ON CAP	137	25	139.7

The Regent Engineering Co. (Walsall) Ltd Salisbury Street Darlaston Wednesbury West Midlands WS10 8XB UK

E-mail : [info@regenteng.com](mailto:info@regenteng.com)

Web : [www.regenteng.com](http://www.regenteng.com)

Phone 44 (0)121 526 6060

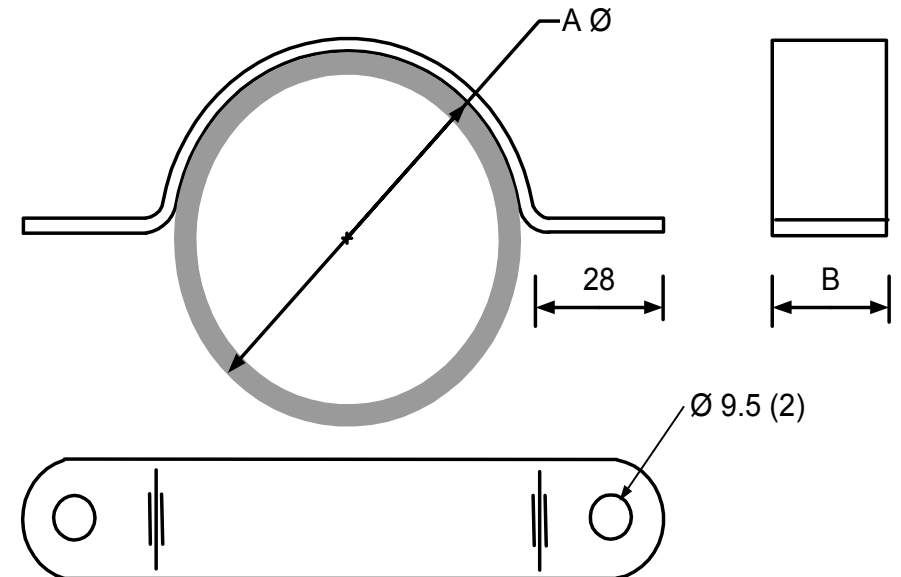
Fax : 44(0)121 526 4789

© 2012

**POST CLIPS**

Application : Fixing Signs and other attachments to Lighting Columns, Sign Posts, CCTV and Transmission Poles

Regent Part No	Description	Dimn A	Dimn B
0429	50.8MM POST CLIP 25MM WIDE	50.8	25
0430	60.3MM POST CLIP 25MM WIDE	60.3	25
0431	76.1MM POST CLIP 25MM WIDE	76.1	25
0432	88.9MM POST CLIP 25MM WIDE	88.9	25
0433	101.6MM POST CLIP 25MM WIDE	101.6	25
0434	114.3MM POST CLIP 25MM WIDE	114.3	25
0435	127MM POST CLIP 25MM WIDE	127.0	25
0436	139.7MM POST CLIP 25MM WIDE	139.7	25
0437	168.3MM POST CLIP 25MM WIDE	168.3	25
0438	193.7MM POST CLIP 25MM WIDE	193.7	25
0538	50MM X 50MM RHS POST CLIP 25MM WIDE		25
0439	60.3MM POST CLIP 38MM WIDE	60.3	38
0440	76.1MM POST CLIP 38MM WIDE	76.1	38
0441	88.9MM POST CLIP 38MM WIDE	88.9	38
0442	101.6MM POST CLIP 38MM WIDE	101.6	38
0443	114.3MM POST CLIP 38MM WIDE	114.3	38
0444	127MM POST CLIP 38MM WIDE	127.0	38
0445	139.7MM POST CLIP 38MM WIDE	139.7	38
0446	168.3MM POST CLIP 38MM WIDE	168.3	38
0447	193.7MM POST CLIP 38MM WIDE	193.7	38



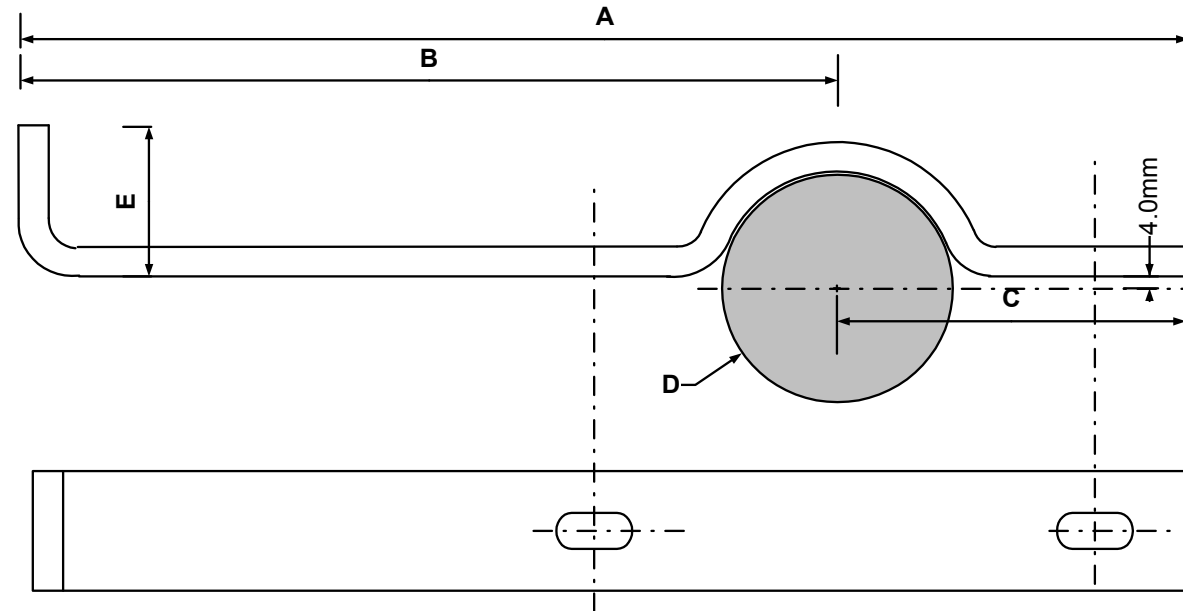
Material - Low carbon Steel to EN 10130 FePo4 - 3mm Thick

Finish - Self Colour

All dimensions in Millimetres

**LADDER BAR ASSEMBLY**

Application : Provides a safe ladder rest on Lighting Columns



Material - Low carbon Steel to EN 10130 FePo4 - 40 x 10 Flat section

Finish - Hot Dip Galvanised to EN ISO1461

All dimensions in Millimetres

Regent Part No	Description	Dimn A	Dimn B	Dimn C	Dimn D	Dimn E
1048.R	LADDER BAR ASSEMBLY - 76MM DIA	385	270	115	76.1	50

The Regent Engineering Co. (Walsall) Ltd Salisbury Street Darlaston Wednesbury West Midlands WS10 8XB UK

E-mail : [info@regenteng.com](mailto:info@regenteng.com)

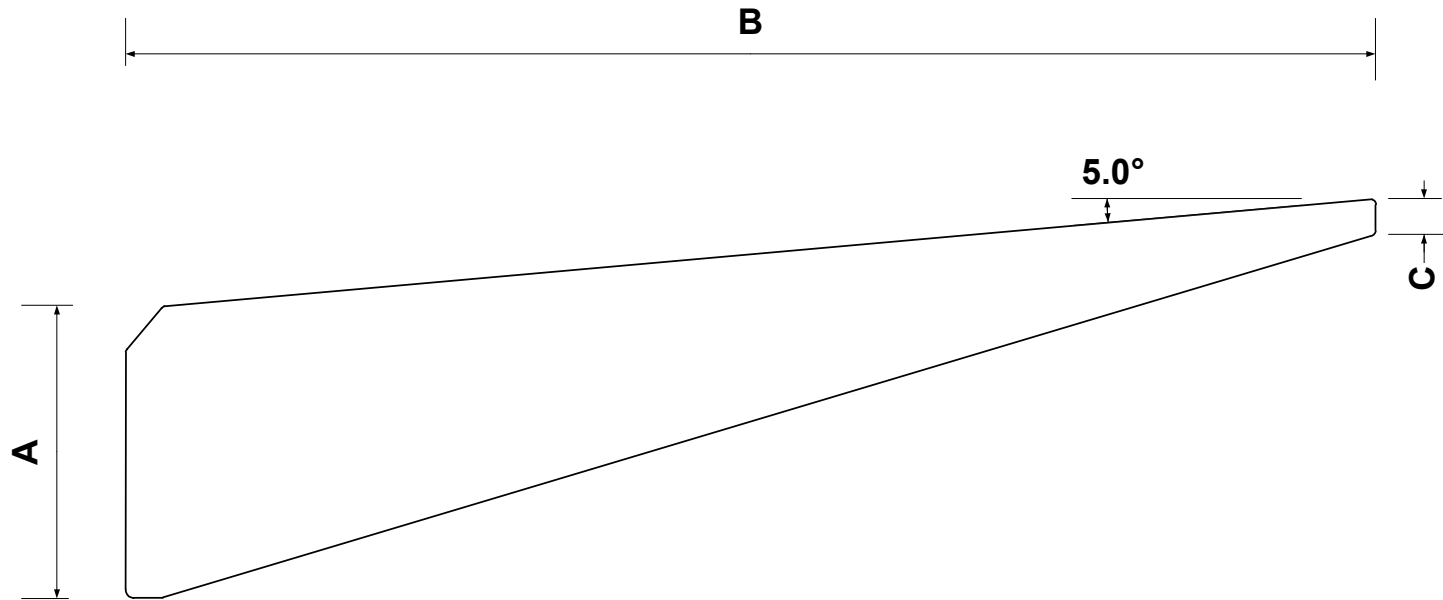
Web : [www.regenteng.com](http://www.regenteng.com)

Phone 44 (0)121 526 6060

Fax : 44(0)121 526 4789

© 2012

Application : Strengthening support for Outreach Bracket Arms.



Material - Low carbon Steel to EN 10130 FePo4 - 3mm Thick

Finish - Self Colour

All dimensions in Millimetres

Regent Part No	Description	Dimn A	Dimn B	Dimn C
0008	300MM GUSSET PLATE	70	300	9

The Regent Engineering Co. (Walsall) Ltd Salisbury Street Darlaston Wednesbury West Midlands WS10 8XB UK

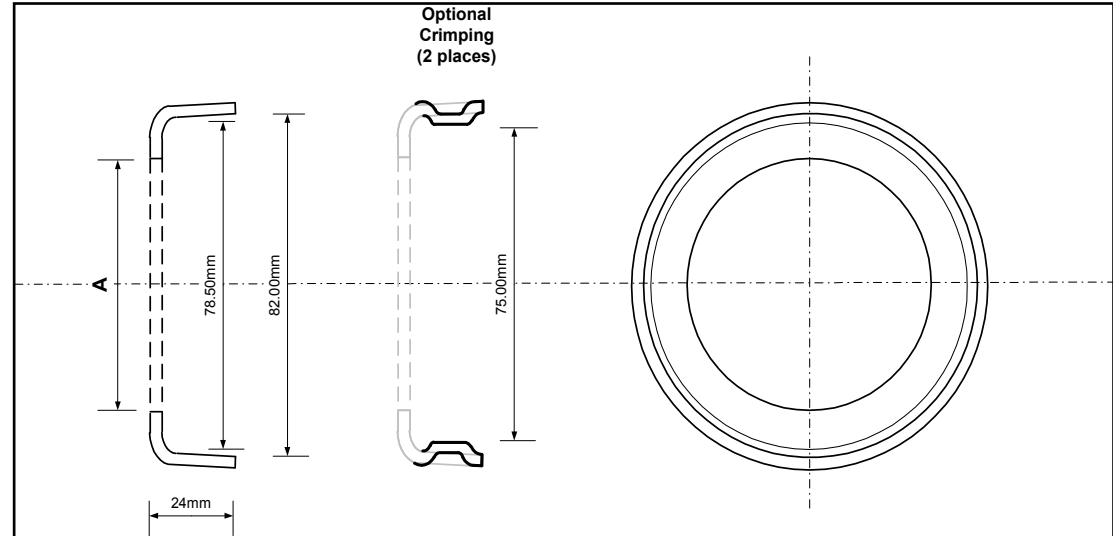
E-mail : info@regenteng.com

Web : www.regenteng.com

Phone 44 (0)121 526 6060

Fax : 44(0)121 526 4789

© 2012



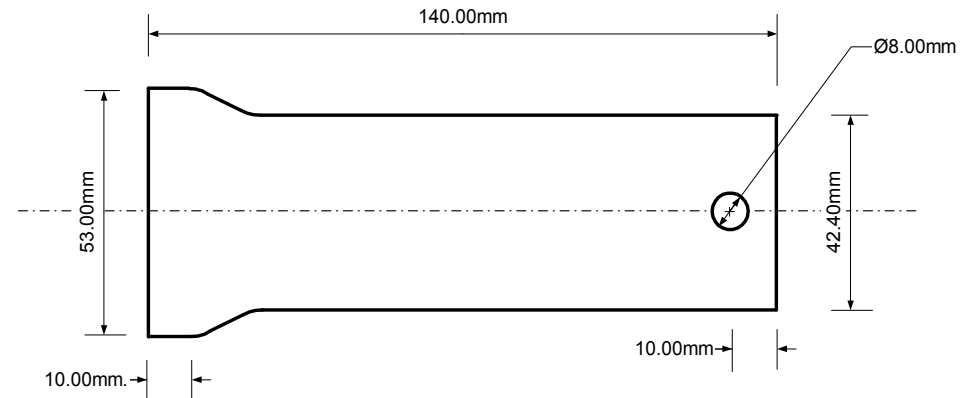
Regent Part No	Description	Dimn A Bracket HoleDia
1051	76mm x 60mm Shaft Collar - Uncrimped	60mm
1051.C	76mm x 60mm Shaft Collar - Crimped	60mm
1052	76mm x 42mm Shaft Collar - Uncrimped	42mm
1052.C	76mm x 42mm Shaft Collar - Crimped	42mm
1053	76mm x 33mm Shaft Collar - Uncrimped	33mm
1053.C	76mm x 33mm Shaft Collar - Crimped	33mm

 Material - 3mm Thick Low carbon Steel to EN 10130  
FePo4



**RPN 0178 - SPIGOT FOR BRACKET  
ARMS**

Application : Used in joint between Bracket Arm and Shaft



MATERIAL : BS 1387 1 1/4" HEAVY GAS LIST TUBE OR  
EQUIVALENT SEAMLESS (42.4 O/D X 4MM WALL)

FINISH : SELF COLOUR

All dimensions in Millimetres

**Anti - Climbing Guard**

Application :  
Tubular Columns - prevention of access to lighting or camera equipment



Material - Low carbon Steel welded assembly

Finish - Self Colour, Hot Dip Galvanised or Painted

Regent Part No	Description
1220.R	ANTI-CLIMBING GUARD WELDED ASSEMBLY
	(Can be made to fit all standard column diameters)

The Regent Engineering Co. (Walsall) Ltd Salisbury Street Darlaston Wednesbury West Midlands WS10 8XB UK

E-mail : [info@regenteng.com](mailto:info@regenteng.com)

Web : [www.regenteng.com](http://www.regenteng.com)

Phone 44 (0)121 526 6060

Fax : 44(0)121 526 4789

© 2012



Various sizes and styles are made to customer specification and design

Material - Low carbon Steel Tube

Finish - Self Colour or Hot Dip Galvanised